



SPX Corporation  
655 Eisenhower Drive  
Owatonna, MN 55060-0995 USA  
Phone: (507) 455-7000  
Tech. Serv.: (800) 533-6127  
Fax: (800) 955-8329  
Order Entry: (800) 533-6127  
Fax: (800) 283-8665  
International Sales: (507) 455-7223  
Fax: (507) 455-7063

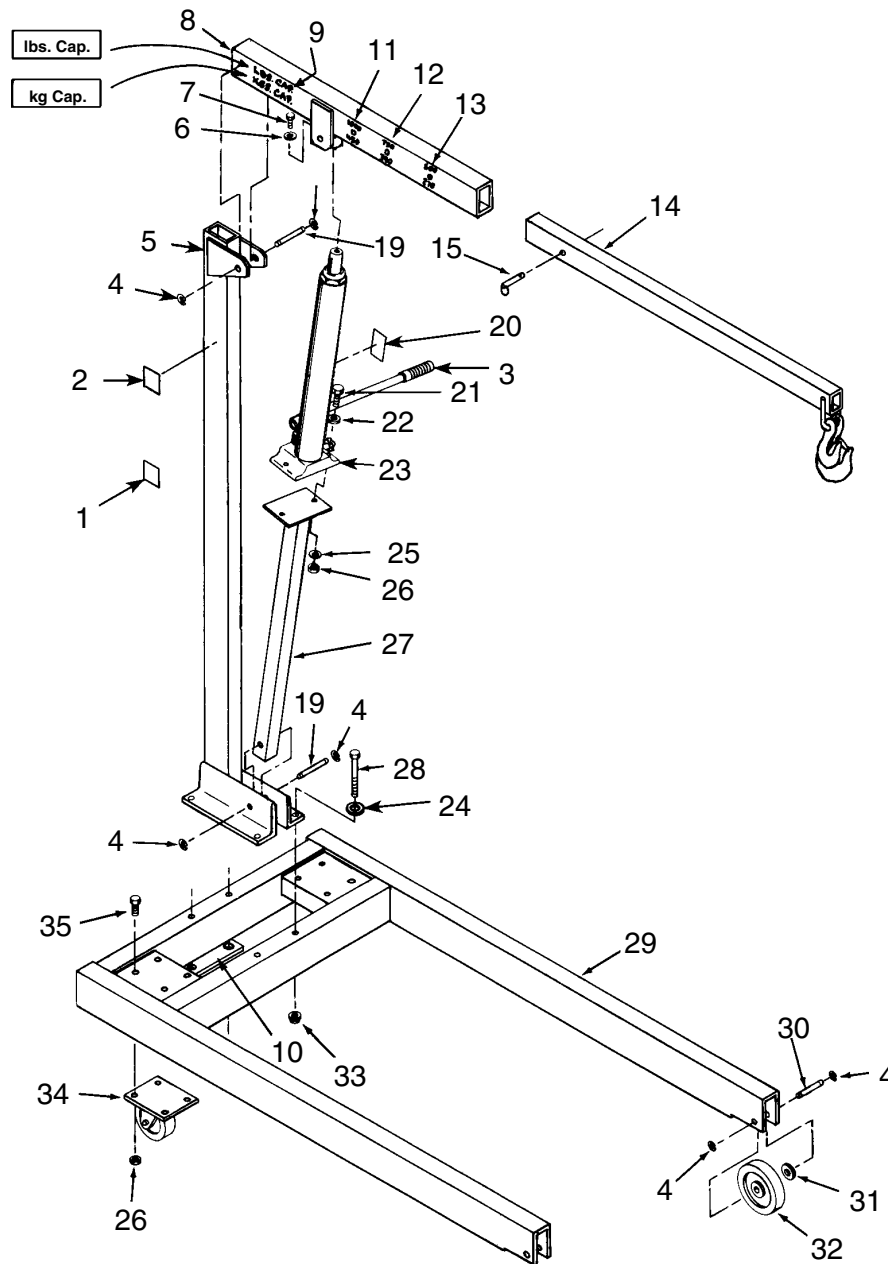
Form No. 100381

Parts List for:

1807  
60299  
014-00133

## Floor Crane Assembly

Max. Capacity: 1000 lbs.



Sheet No. 1 of 3

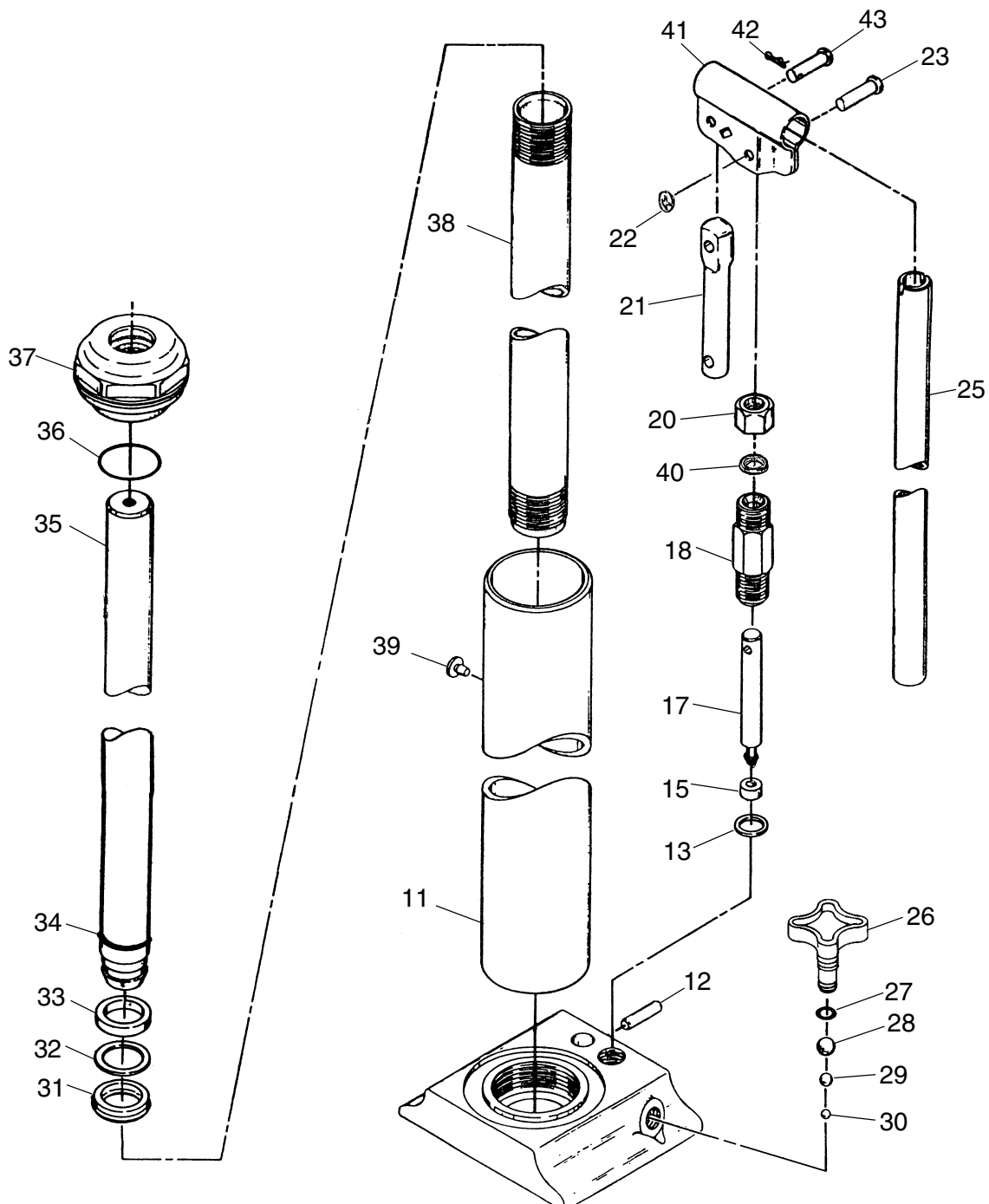
Issue Date: Rev. C 8-4-03

Item No.	Part No.	No. Req'd	Description
1	205337	1	Part No. Decal (for 014-00133)
2	11281	1	Trade Name Decal (for 1807)
	12222	1	Trade Name Decal (for 014-00133)
3	11610	1	Handle Grip
4	11901	8	Retaining Ring (for 5/8" shaft)
5	52012	1	Mast Weldment
6	10246	1	Lockwasher (for 5/16" bolt)
7	10559	1	Hex Hd. Cap Screw (5/16-18 x 1-1/4 lg.)
8	42165-BL2	1	Boom Weldment
9	212944	1	Decal (lbs./kg capacity)
10	213026	1	Plate
11	212943	1	Decal (1000 lbs./450 kg)
12	212942	1	Decal (750 lbs./340 kg)
13	212941	1	Decal (600 lbs./270 kg)
14	42167	1	Boom Extension Weldment (includes hooks)
15	15997	1	Cotterless Hitch Pin
19	201381	2	Pin
20	201444	1	Warning Decal
21	10055	2	Hex Hd. Cap Screw (3/8-16 x 1-1/2 lg.)
22	10231	2	Wrought Washer (for 3/8" bolt)
23	42178	1	Jack Assembly (see sheet 2 of 2)
24	10232	4	Washer (for 7/16" bolt)
25	10247	2	Lockwasher (for 3/8" bolt)
26	10204	10	Hex Nut (3/8-16)
27	303422	1	Jack Post
28	15518	4	Hex Hd. Cap Screw (7/16-14 x 5 lg.)
29	60245-BL2	1	Base Weldment
30	200568	2	Pin
31	16133	2	Special Washer (for 5/8" bolt)
32	15516	2	Wheel
33	15603	4	Flange Nut
34	15515	2	Swivel Caster
35	10046	8	Hex Hd. Cap Screw (3/8-16 x 3/4 lg.)
<b>PARTS INCLUDED BUT NOT SHOWN</b>			
	216703	1	Made in USA Decal

Shaded areas reflect the last revisions made to this form.

### JACK ASSEMBLY

(for Floor Crane manufactured in 1989 to present)



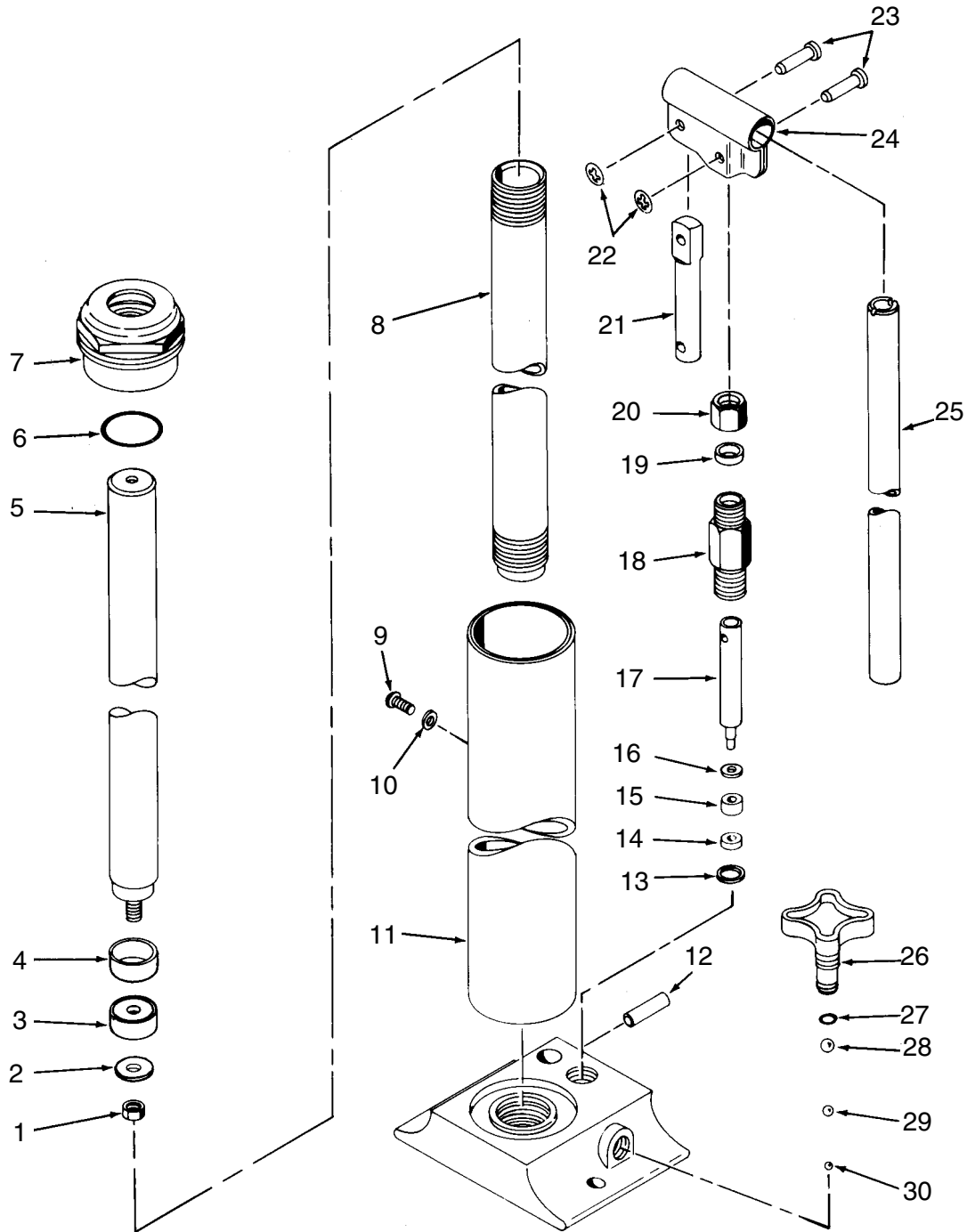
Refer to any operating instructions included with the product for detailed information about operation, testing, disassembly, reassembly, and preventive maintenance. Items found in the parts list on page 3 have been carefully tested and selected by OTC.

**Therefore: Use only OTC replacement parts!**

Additional questions can be directed to our Technical Services Dept. at 1-800-533-6127.

### JACK ASSEMBLY

(for Floor Crane manufactured prior to 1989)



Item No.	Part No.	No. Req'd	Description
1	D-2237	1	Nut
2	D-2436	1	Ram Cup Retainer
*3	D-2434-A	1	Ram Cup
4	D-2435-A	1	Ram Spacer
5	10-11207	1	Ram
*6	D-2099-22	1	O-ring
7	10-12360	1	Reservoir Head
8	10-11206	1	Ram Cylinder
*9	D-2001	1	Screw
*10	D-2015	1	Filler Washer
11	10-11205	1	Reservoir
12	D-2848-A	1	Link Pin
*13	D-2027	1	Piston Cylinder Washer
*14	10-11761	1	Piston Cup Retainer
*15	10-11885	1	Piston Cup
*16	10-11893	1	Back-up Washer
*17	2-54946	1	Pump Piston
*18	D-2044-A	1	Pump Cylinder
19	D-2058	1	Pump Wiper
*20	10-11740	1	Packing Nut
21	D-2547	1	Piston Link
*22	10-11758	2	Push Nut
23	CH-1028	2	Pin
24	10-11755	1	Handle Socket
25	10-12020	1	Handle
26	201386	1	Handle & Release Valve Assembly ( <i>see NOTE</i> )
27	10267	1	O-ring ( <i>see NOTE</i> )
*28	D-2075	1	Valve Ball ( <i>13/32 dia.</i> )
*29	D-2070	1	Valve Ball ( <i>5/16 dia.</i> )
30	D-2074	1	Valve Ball ( <i>7/32 dia.</i> )
*31	2-58350-2	1	"U" Cup
*32	2-58611-2	1	Back-up Ring
33	D-2435-A	1	Bushing
34	2-59972	1	Up-stop Ring
35	2-59831-4	1	Ram
*36	2-50025	1	O-ring
37	10-11769	1	Reservoir Head
38	2-59606-4	1	Ram Cylinder
*39	2-54029	1	Plug
*40	D-2099-10	1	Pump Wiper O-ring
41	2-50829	1	Handle Socket
*42	2-58541	1	Pin Retainer Clip
*43	10-12019	1	Pin

Items marked with an asterisk (\*) are contained in Repair Kit No. 16259 (see NOTE).

**NOTE: All part numbers (except Item Nos. 26, 27, & Repair Kit No. 16259) must be ordered directly from: U.S. Jack Company, 1120 S. Crystal Ave., Benton Harbor, MI 49023, 1-269-925-7777**

Sheet No. 3 of 3

Issue Date: Rev. C 8-4-03