



SPX Corporation
655 Eisenhower Drive
Owatonna, MN 55060-0995 USA
Phone: (507) 455-7000
Tech. Serv.: (800) 533-6127
Fax: (800) 955-8329
Order Entry: (800) 533-6127
Fax: (800) 283-8665
International Sales: (507) 455-7290
Fax: (507) 455-7063

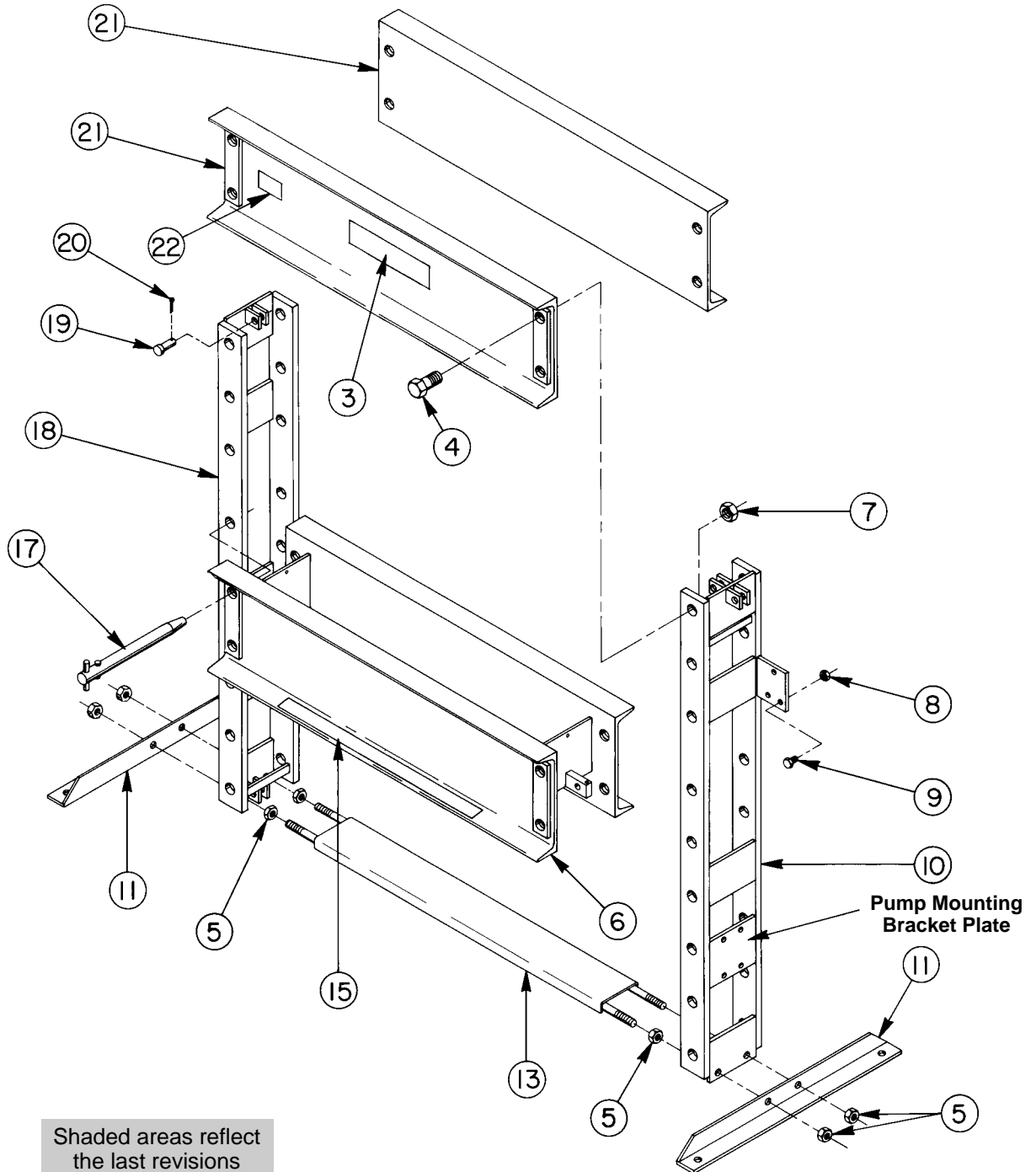
Form No. 100358

Parts List for:

1857
1858
60534 (press frame only)

100 Ton Shop Press

Frame Assembly



Shaded areas reflect the last revisions made to this form.

Sheet No. 1 of 2
Issue Date: Rev. 6-15-95

Parts List

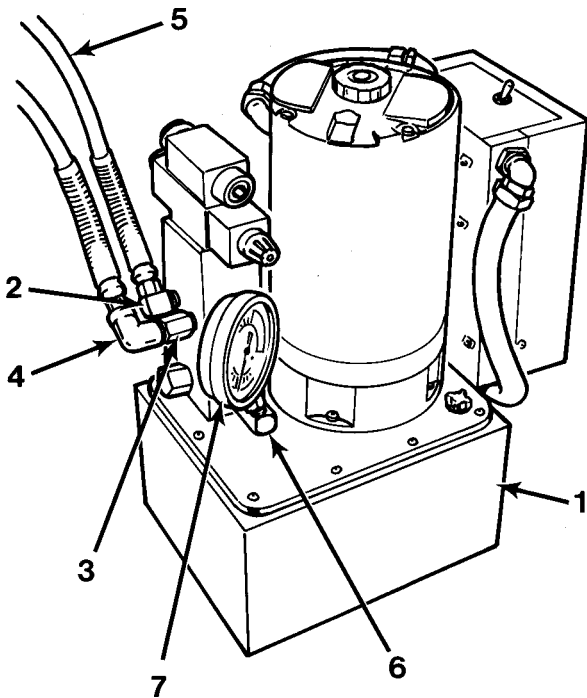
Form No. 100358, Sheet 1 of 2, Back

Item No.	Part No.	No. Req'd	Description
3	11592	1	Trade Name Decal
4	204344	8	Special Cap Screw
5	10397	8	Hex Nut (3/4-10)
6	61144-BL2	1	Lower Bolster
7	10406	8	Hex Jam Nut (1-3/8 -12; Torque to 275/300 ft. lbs.)
8	10204	3	Hex Nut (3/8-16)
9	10049	3	Hex Hd. Cap Screw (3/8-16 x 1" Lg.)
10	51229	1	Upright, R.H.
11	25849	2	Foot Angle
13	43176	1	Upright Spacer

Item No.	Part No.	No. Req'd	Description
15	46909	1	Warning Decal
17	38166	4	Cross Pin
18	51230	1	Upright, L.H.
19	16654	AR	Clevis Pin
20	10472	AR	Cotter Pin (1/8 Dia. x 1-1/2" Lg.)
21	43148-BL2	2	Upper Bolster
22	206043	1	Instruction Decal

Parts Included but Not Shown
309956 1 Made In USA Decal

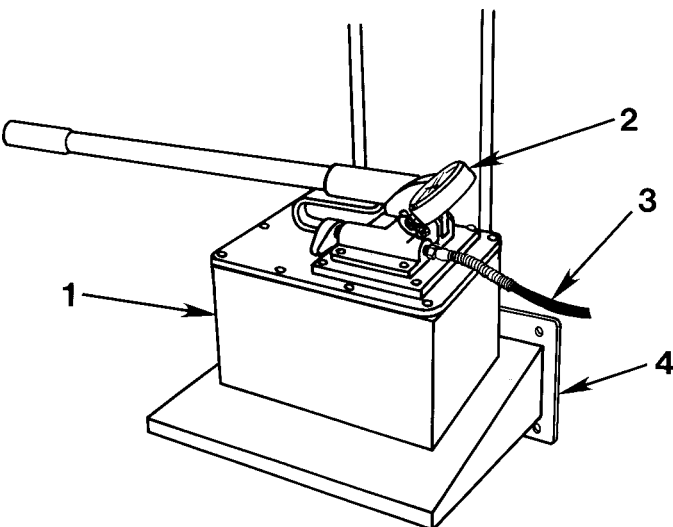
AR = As Required



61217 Electric Pump Hookup

Item No.	Part No.	No. Req'd	Description
1	61217	1	Electric Pump (see Form #100601; for 1858)
2	10474	1	Elbow Fitting (90° x 3/8 NPTF)
3	13828	1	Straight Fitting (3/8 NPTF)
4	10647	1	Elbow Fitting (90° x 3/8 NPTF)
5	36888	2	Hyd. Hose, 10 ft.
6	10645	1	45° Street Elbow
7	10492	1	Gauge

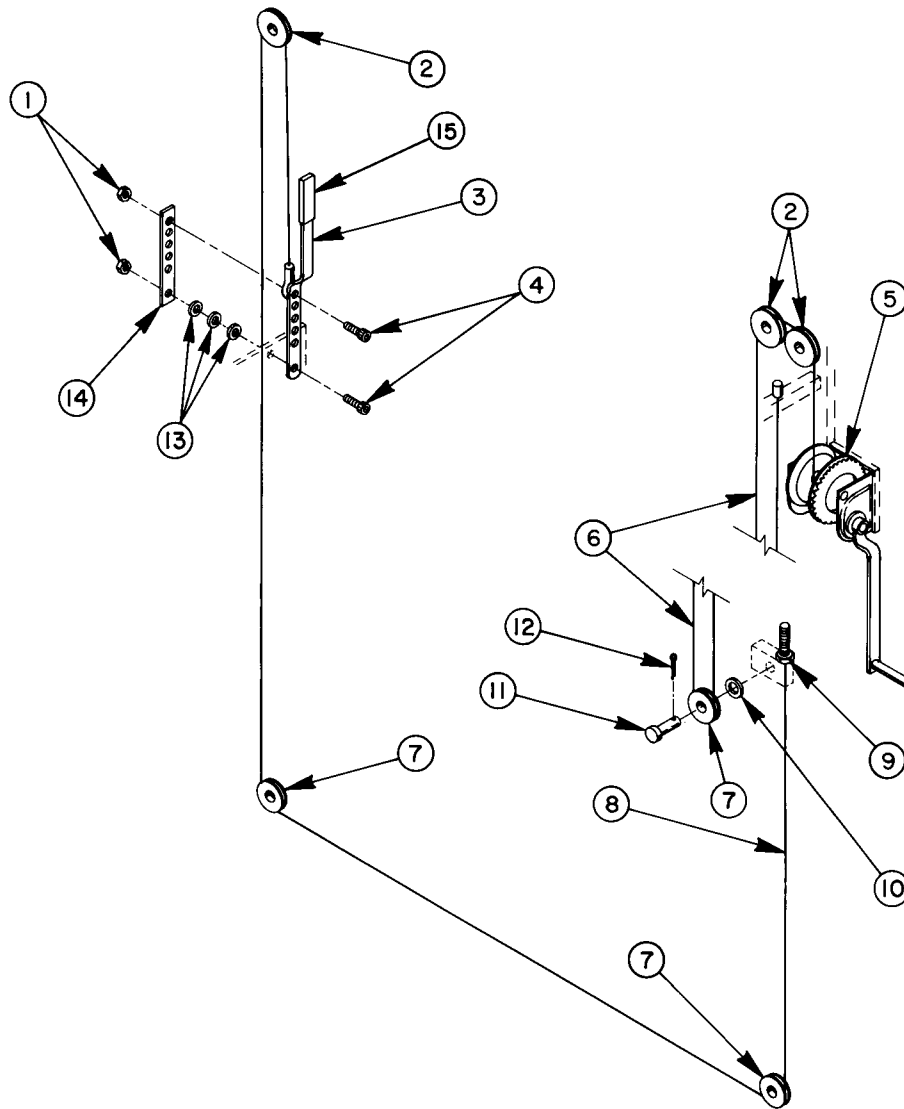
Parts Included but Not Shown
50931 1 Pump Mounting Bracket



4008 Hand Pump

Item No.	Part No.	No. Req'd	Description
1	4008	1	Hand Pump (see Form #100390; for 1857)
2	10492	1	Gauge
3	303840	1	Hyd. Hose, 10 ft.
4	50931	1	Pump Mounting Bracket

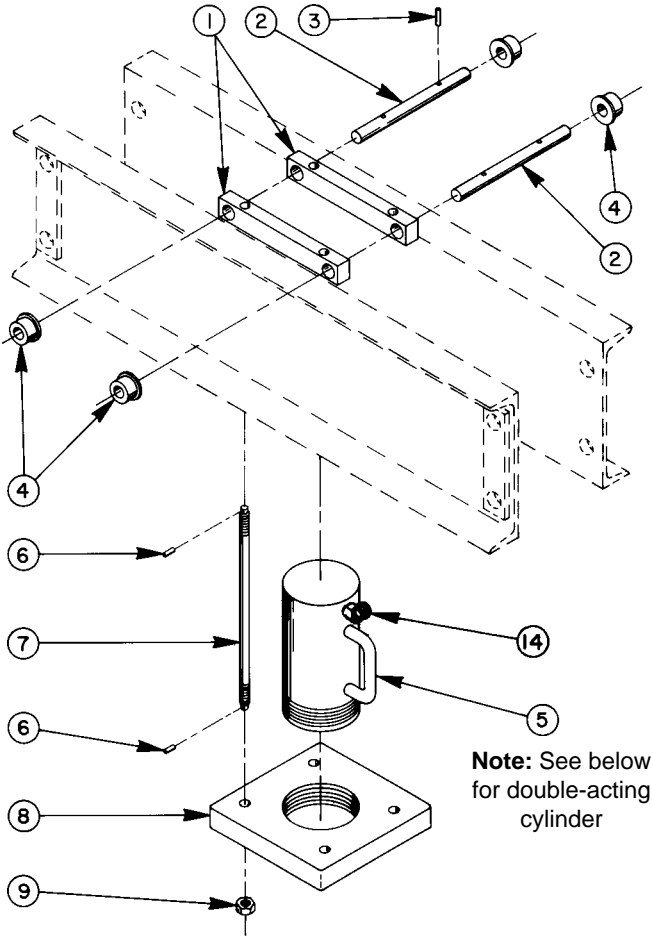
Cable Assembly



Item No.	Part No.	No. Req'd	Description	Item No.	Part No.	No. Req'd	Description
1	12809	2	Locknut (1/4-20)	9	10204	1	Hex Nut (3/8-16)
2	16659	3	Pulley (3" O.D.)	10	12330	1	Washer (for 3/4" bolt)
3	38579	1	Handle	11	16654	AR	Clevis Pin
4	10020	2	Cap Screw (1/4-20 x 1-1/4" lg.)	12	10472	AR	Cotter Pin
5	18895-1	1	Winch	13	12719	3	Washer (for 1/4" bolt)
6	207043	1	Winch Cable	14	201929	1	Cable Strap
7	16653	3	Pulley (2-1/2 O.D.)	15	17241	1	Handle Grip
8	38200	1	Press Cable				

AR=As Required

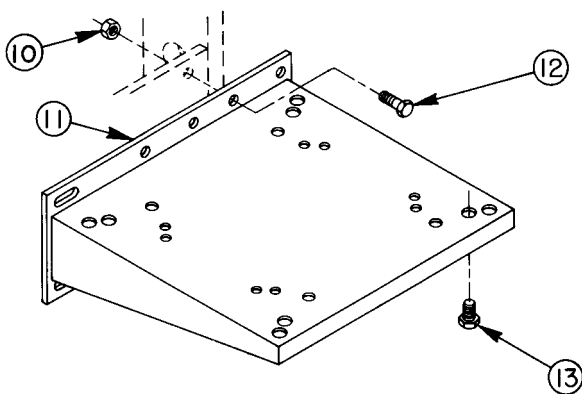
Cylinder Mounting Assembly



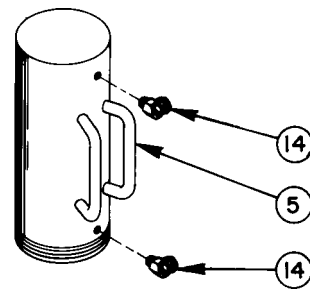
Note: See below for double-acting cylinder

Item No.	Part No.	No. Req'd	Description
1	44419	2	Bar
2	302551	2	Bar
3	10982	4	Roll Pin (1/4 dia. x 1-1/2" lg.)
4	206944	4	Roller
5	52434	1	Single-Acting Cylinder
			(see Form #101437; for 1857; includes Item 14)
	51683	1	Double-Acting Cylinder
			(see Form #101410; for 1858; includes Item 14)
6	10585	8	Roll Pin (1/4 dia. x 1" lg.)
7	302549	4	Threaded Rod
8	52451	1	Ram Mtg. Plate (for 1857)
	51786	1	Ram Mtg. Plate (for 1858)
9	10216	4	Hex Nut (3/4-10 UNC)
10	10204	2	Hex Nut (3/8-16)
11	50931	1	Pump Mounting Bracket
12	10052	2	Hex Hd. Cap Screw (3/8-16 x 1-1/4" lg.)
13	10798	4	Hex Hd. Cap Screw (1/2-20 x 3/4" lg.)
14	10648	1	45° Elbow Fitting (included with 52434 Single-Acting Cylinder)
15	10648	2	45° Elbow Fitting (included with 51683 Double-Acting Cylinder)

Pump Mounting Bracket



Double-Acting Cylinder



Refer to any operating instructions included with the product for detailed information about operation, testing, disassembly, reassembly, and preventive maintenance.

Items found in this parts list have been carefully tested and selected by OTC. **Therefore: Use only OTC replacement parts!**

Additional questions can be directed to the OTC Technical Services Department.